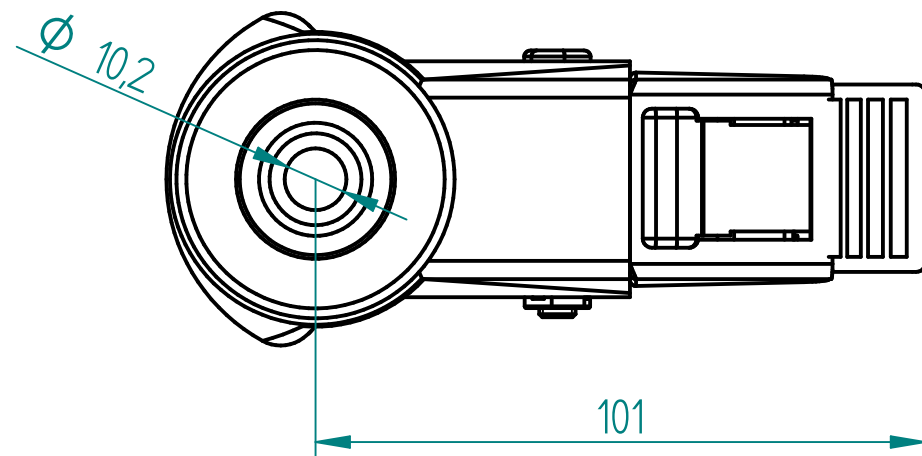
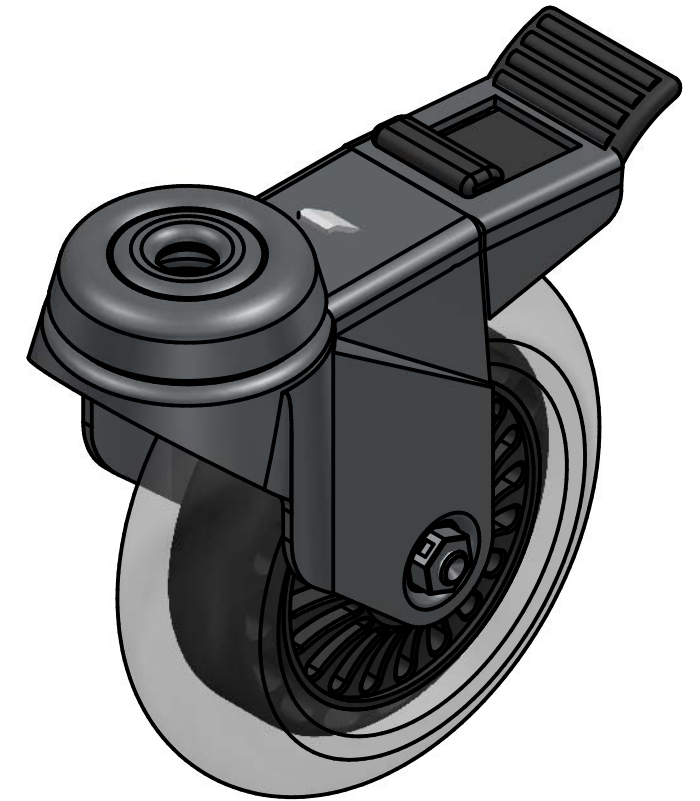



SECTION A-A



Load Capacity : 60Kg, for speed up to 4Km/h
(according to EN12530:1998)

 PRODUCTION OF INSTITUTIONAL CASTORS AND WHEELS THESSALONIKI - GREECE This drawing is the property of RODA S.A. It must neither be reproduced in any manner nor shall it be submitted to third parties or competitors without our written consent	PERMIS. VARIATIONS:		PART No:
	SURFACE FINISH:		UNF. DIM.:
			MATERIAL : Swivel castor with brake, steel support, bolt hole ϕ 10mm. Wheel 100x30mm, non marking PU (85ShA), ball bearing.
	DESIGNED	13/7/2021	ALISANDRATOS S.
	DRAWN	13/7/2021	ALISANDRATOS S.
	CHECKED	13/7/2021	SAATSOGLU H.
PART DESCRIPTION :			M100SPUSHSBK
C3			
B2			
A1			
A/A			
QUANTITY		SCALE	
REPLACE		DRAWING	
GEN. DWG. NUM. :			SHEET No.