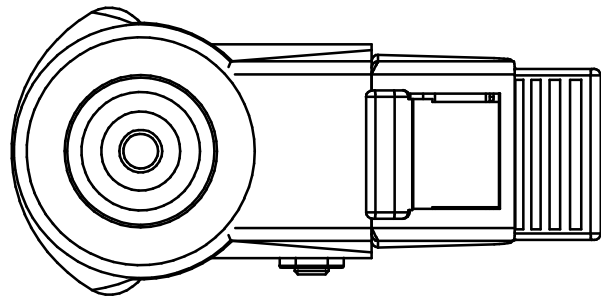
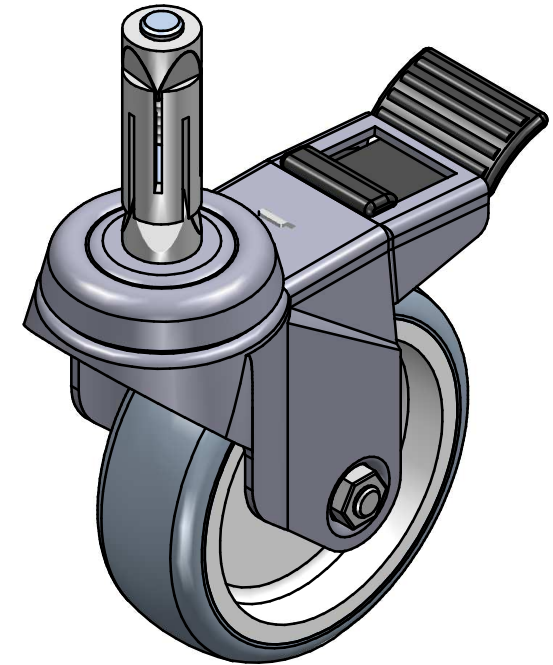
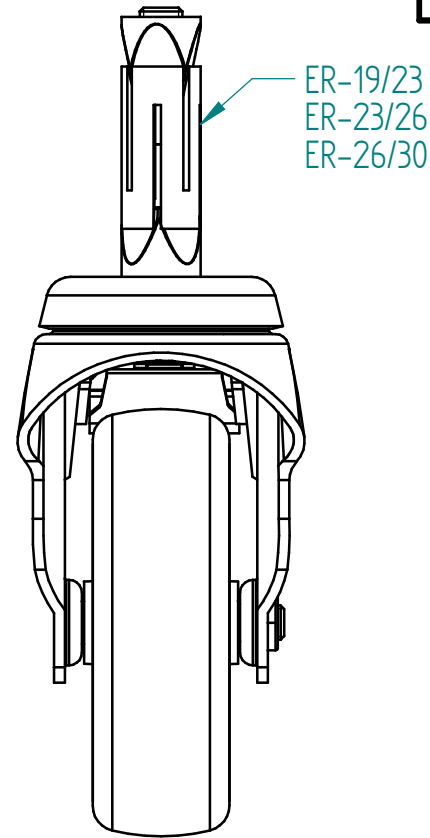



S Series			
A (mm)	B (mm)	C (mm)	D (mm)
75	109	28	95
100	131,5	40	107
125	156,5	40	107
150	181,5	45	112



	PRODUCTION OF INSTITUTIONAL CATRORS AND WHEELS		PERMIS. VARIATIONS:	PART No.:
	THESSALONIKI - GREECE		SURFACE FINISH:	UNF. DIM.:
This drawing is the property of RODA S.A. It must neither be reproduced in any manner nor shall it be submitted to third parties or competitors without our written consent			DESIGNED 21/2/2011 ALISANDRATOS S. DRAWN 21/2/2011 ALISANDRATOS S. CHECKED 21/2/2011	MATERIAL:
C3 B2 A1 A/A	QUANTITY REPLACE	SCALE	PART DESCRIPTION : S Series ERSBK: Expander Round Brake	
			DRAWING No.	SHEET No.
			GEN. DWG. NUM.:	